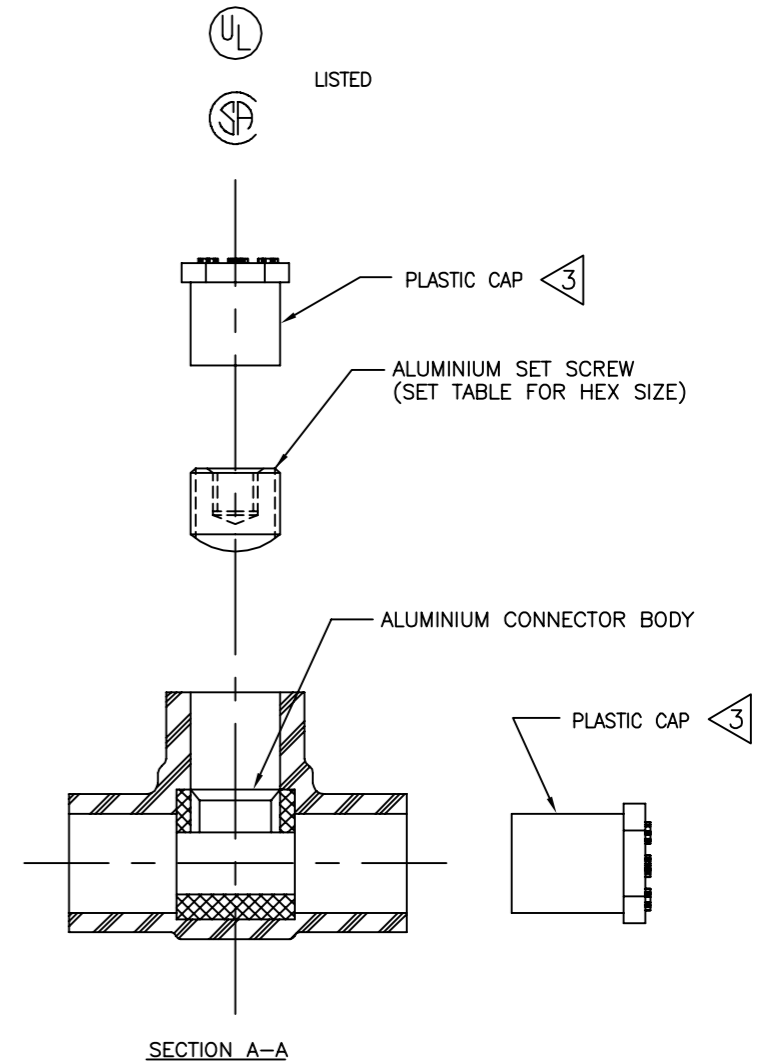
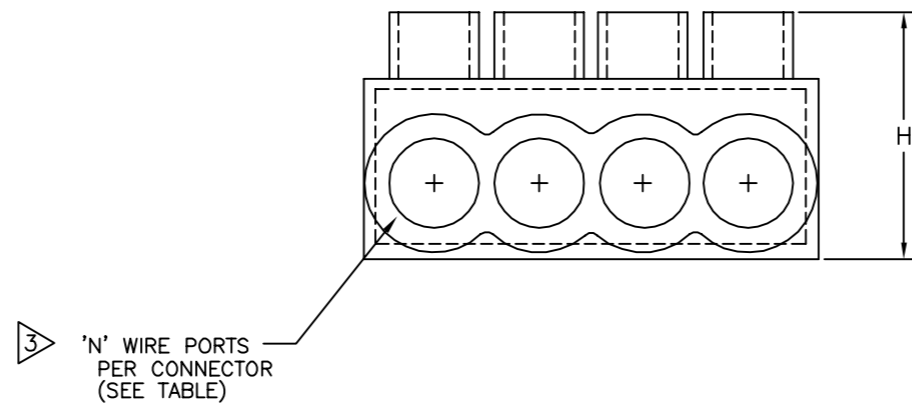
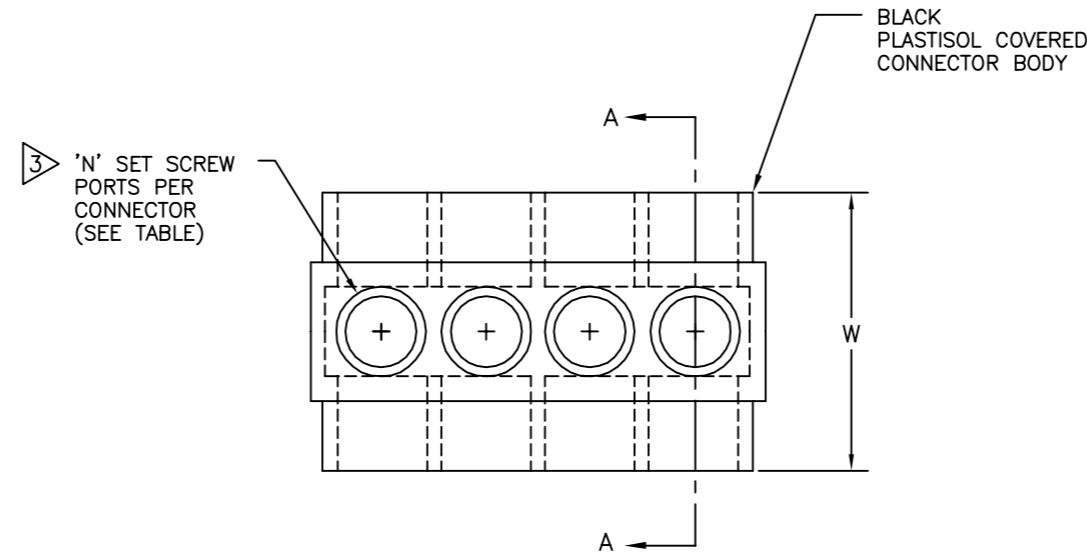


DRAWING NO. SD214514						
CATALOG NO.	WIRE RANGE (AWG/kcmil)	L	W	H	HEX KEY	N
1PLD600-2	#4-600	2.72 [69]	3.00 [76]	2.75 [70]	3/8	2
1PLD600-3	#4-600	4.00 [102]	3.00 [76]	2.75 [70]	3/8	3
1PLD600-4	#4-600	5.28 [134]	3.00 [76]	2.75 [70]	3/8	4
1PLD600-5	#4-600	6.56 [167]	3.00 [76]	2.75 [70]	3/8	5
1PLD600-6	#4-600	7.84 [199]	3.00 [76]	2.75 [70]	3/8	6
1PLD600-8	#4-600	10.40 [164]	3.00 [76]	2.75 [70]	3/8	8
1PLD600-10	#4-600	12.97 [329]	3.00 [76]	2.75 [70]	3/8	10
1PLD600-12	#4-600	15.53 [394]	3.00 [76]	2.75 [70]	3/8	12

REV.	DATE	DESCRIPTION	ECO	BY	C'K'D.
C	12/14/12	TORQUE VALUE INCLUDED.	29771	PB	MA

FEATURES	BENEFITS
PLASTISOL COVERED AL6061-T6 BODY	SAVES TIME, LOWERS INSTALLATION COSTS, ELIMINATES TAPING.
OXIDE-INHIBITOR IS PRE-INSTALLED	INHIBITS MOISTURE AND CONTAMINANTS FROM ENTERING THE CONTACT AREA
RANGE-TAKING	REDUCES THE NUMBER OF CONNECTORS CARRIED IN INVENTORY



NOTES:

- THIS DRAWING TO BE INTERPRETED PER ANSI Y14.5M.
- CONNECTORS ARE SUPPLIED INDIVIDUALLY LABELED. LABEL INFORMATION INCLUDES CATALOG NUMBER, AND BARCODE.
- END CAPS INSTALLED ON WIRE PORTS AND SET SCREW PORTS.
- ALL CONNECTORS UL LISTED, CSA CERTIFIED FOR AL9CU, 90°C APPLICATIONS, UNLESS OTHERWISE NOTED.
- DIMENSIONS IN BRACKETS [] ARE IN MILLIMETERS ROUNDED OFF TO THE NEAREST MILLIMETER, UNLESS OTHERWISE NOTED, AND ARE FOR REFERENCE ONLY.
- UV RATED INSULATION MATERIAL.
- TORQUE SET SCREWS TO 375 IN/LB.

TO ORDER BURNDY® PRODUCTS CALL UNITED STATES: 1-800-346-4175 (LONDONDERRY, NH) CANADA: 1-800-361-6975 (QUEBEC) 1-800-387-6487 (ALL OTHER PROVINCES) FOR PRODUCT INFO: http://www.burndy.com		UV BLACK DISTRIBUTION CONNECTORS	
		ITEM NO: N/A	
CAT NO: 1PLD600--SERIES (TABLE)		SCALE: N/A	
DRAWN BY: D RAJKUMAR 4/24/02		DRAWING NO	
CHECKER: K HENRY 5/23/02		REV	
DSN APPVL: G DITROIA 3/6/02		BURNDY	
MFG APPVL: T BONINA 2/27/02			
QC APPVL: J BRODEUR 3/5/02		PROJECT #: SD214514	
MKT APPVL: A ZWIT 2/27/02		DOCUMENT TYPE: Sales	
PROD FAM: --		SIZE: D	
PROJECT #: --		SHEET 6 OF 13	
DOCUMENT TYPE: Sales		REL LEVEL: AutoCAD	